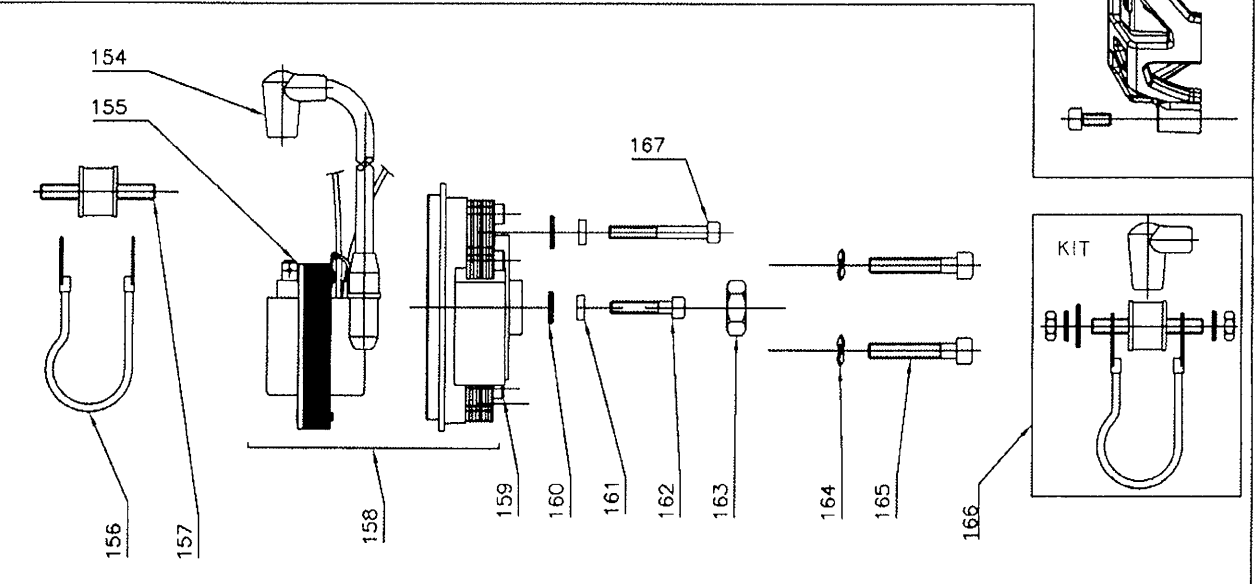
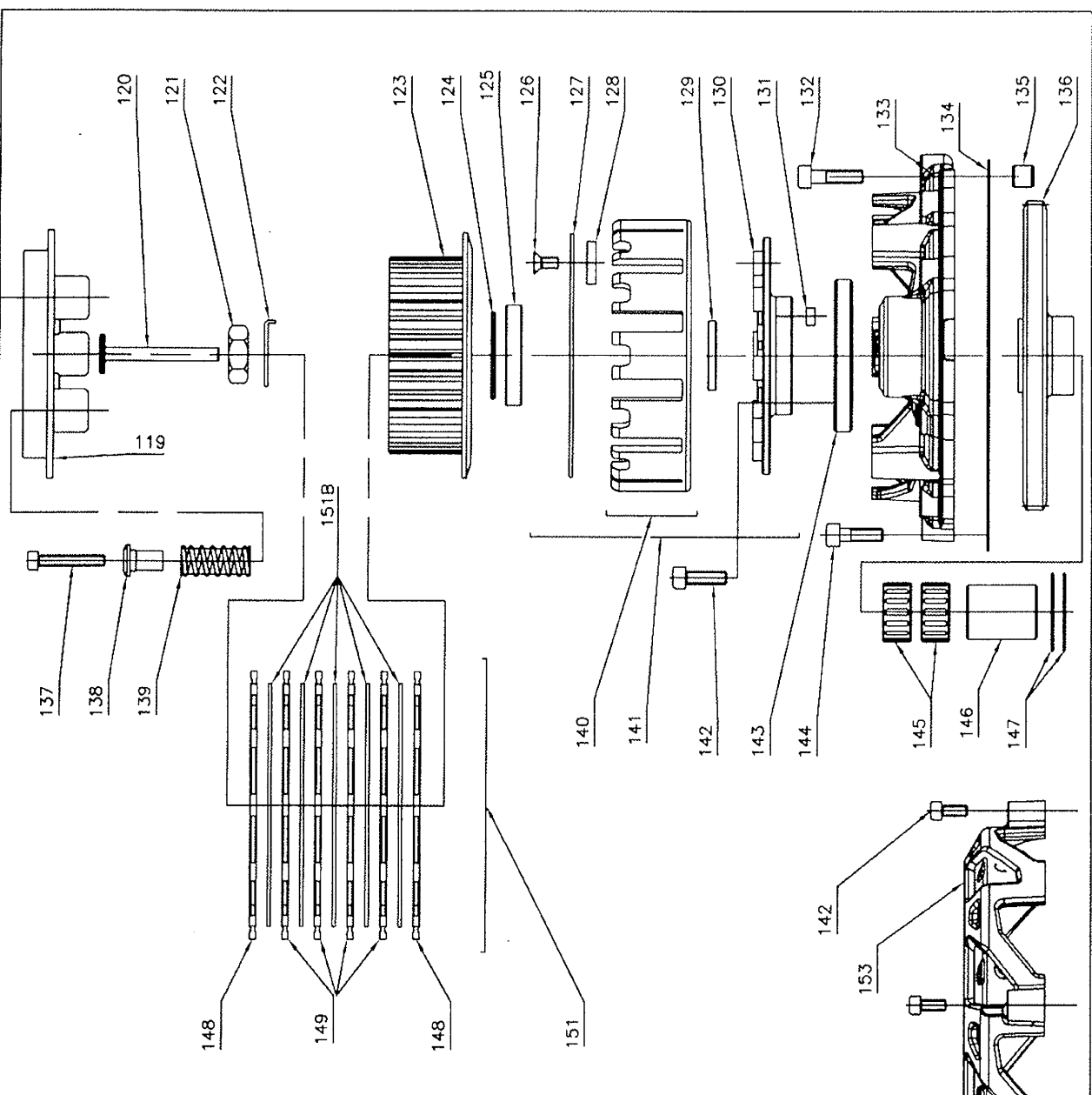
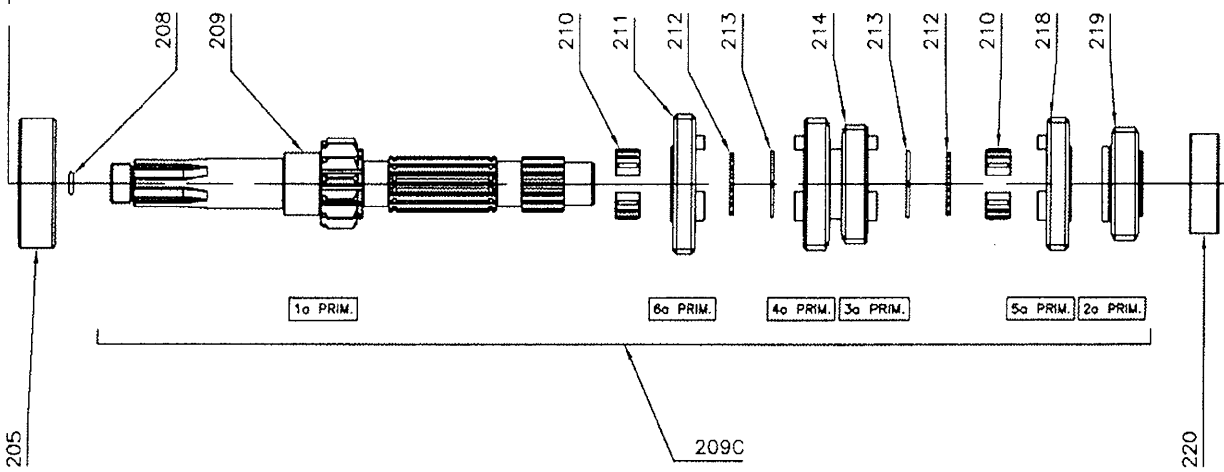
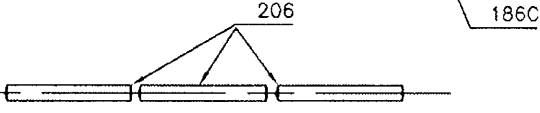
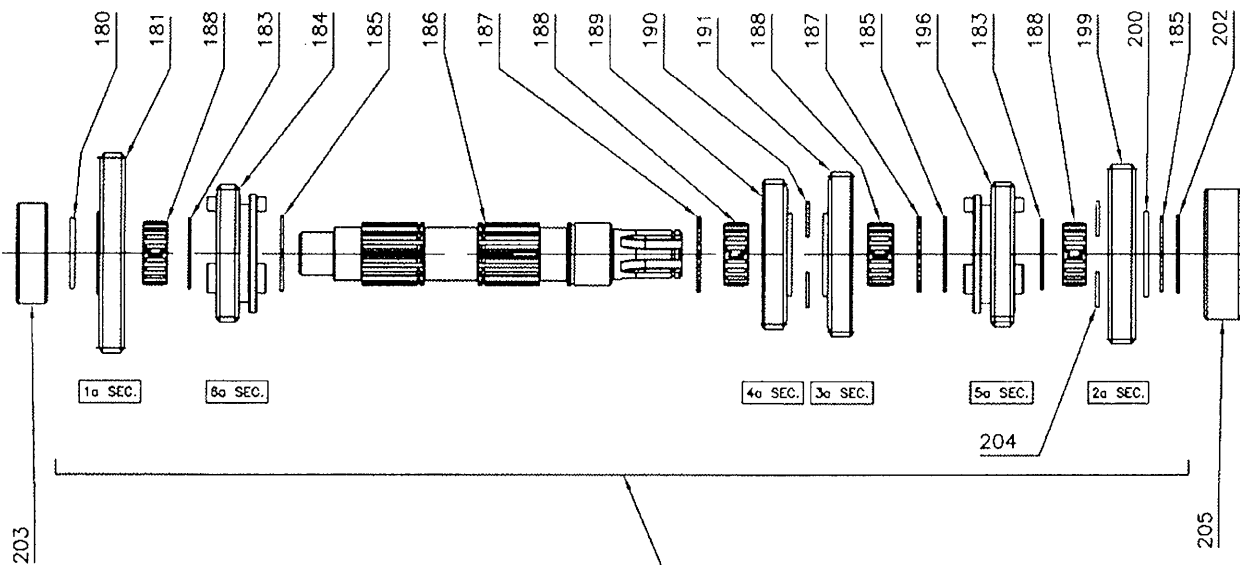


RVZ



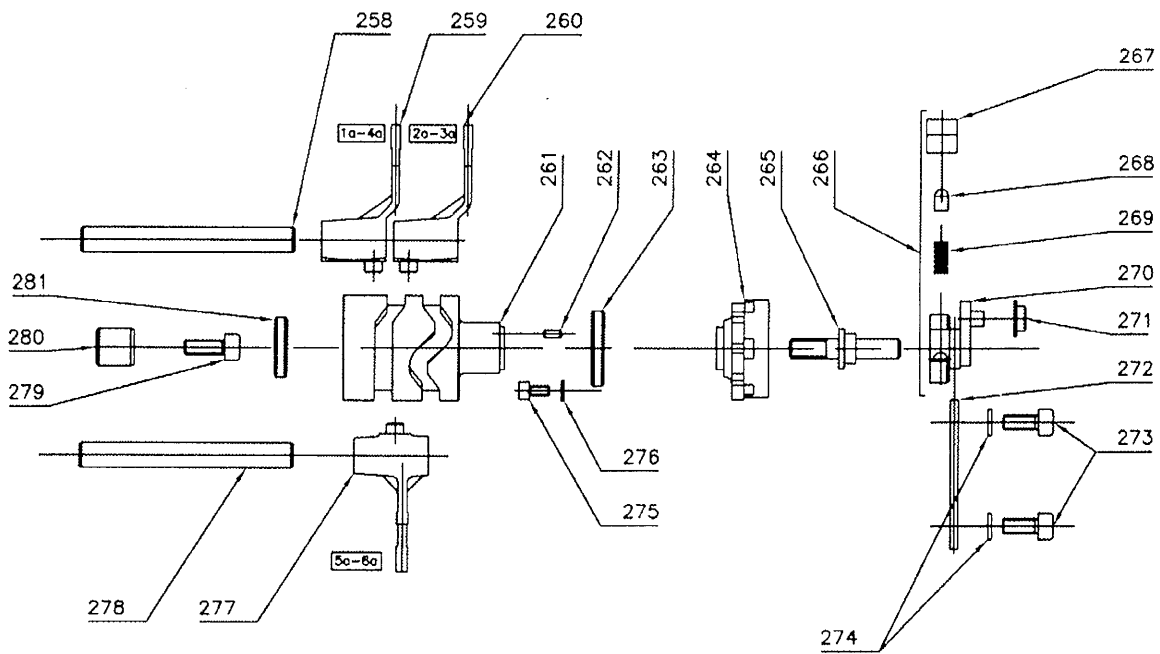
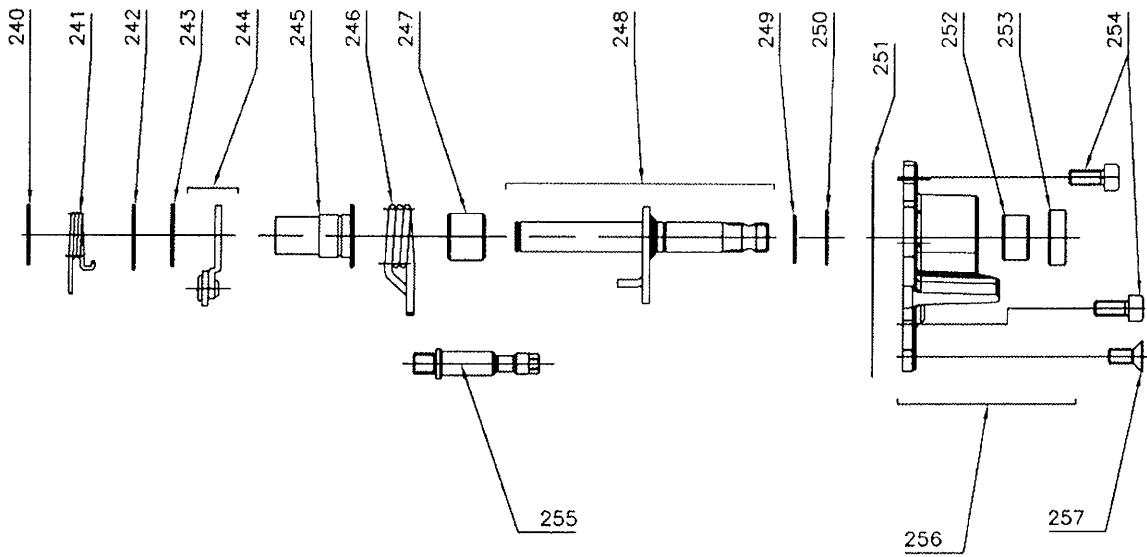
RVZ

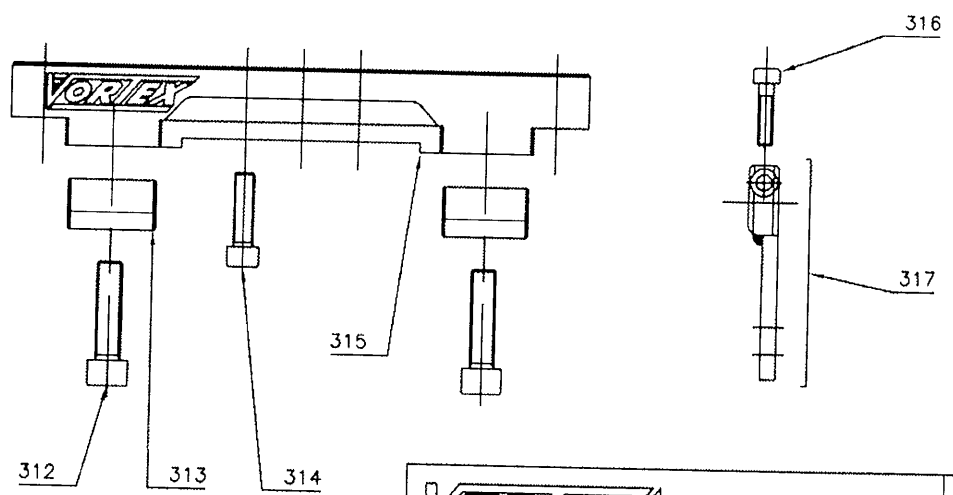
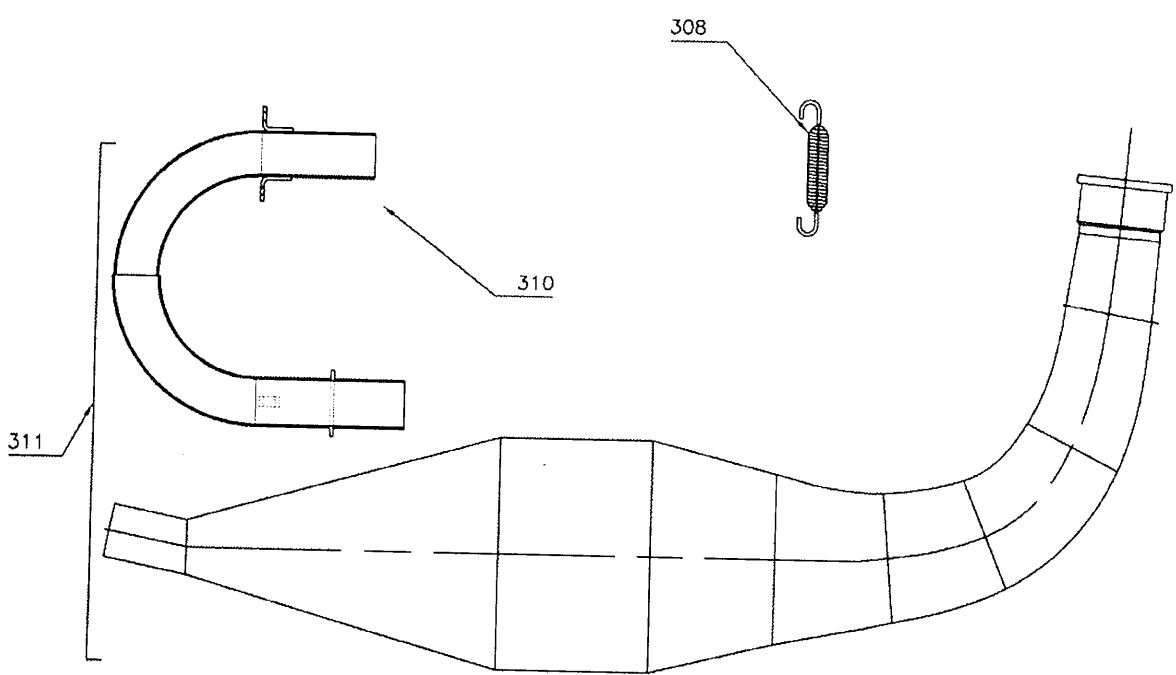
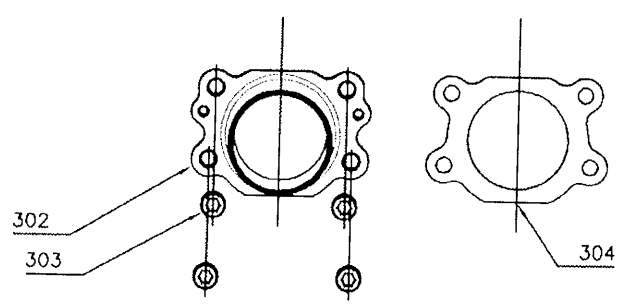
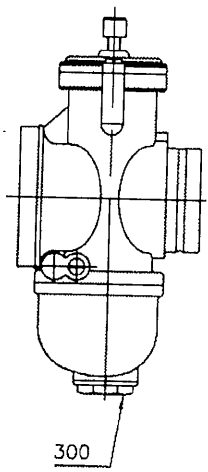


222 ALBERI PRIMARIO E SECONDARIO COMPLETI CON CUSCINETTI  
 PRIMARY AND SECONDARY SHAFTS COMPLETE WITH BEARINGS  
 ARBRES PRIMAIRE ET SECONDAIRE COMPLETS AVEC ROULEMENTS



RVZ





RVZ



## RVZ ENGINE SPARE PARTS PRICE LIST

N°	CODE	DESCRIPTION	MINIM. Q.TY	PRICE EURO tarifs HT
1	W10021/RVXX	NICKEL-PLATED CYLINDER RVX/RVZ		620,00
1A	10105/RVZ	CYLINDER BASIS SPACER RVZ		30,00
2	W10104/KF4	CYLINDER BASIS GASKET 0,4		2,50
3	W003	SPARK PLUG NGK B10 EG		9,00
4	W10019/1	CYLINDER - HEAD EXTERNAL O-RING OR 2400		1,50
5	W10018	CYLINDER - HEAD CENTRAL O-RING OR 2250		1,00
6	W627	STUD BOLT O-RING - OR 2031		1,00
7	W511/10	ROUNDHEAD SCREW M6 x 10	N.100 Pcs	6,00
8	W10662	COPPER GASKET D. 6 x 10 x 1,5		1,50
9	W530/10FL	NUT M8 x 10	N.100 Pcs	12,00
10	W560/17	WASHER M8,2 x 17 x 1,5	N.100 Pcs	3,00
11	W10043	CYLINDER/HEAD STUD BOLT M8 x 41		1,00
12	W10010/RVX	RVX/KZ ENGINE HEAD		130,00
14C	W10126/RVXX	COMPLETE PISTON 53.96 WITH PIN		82,00
..	W10128/RVXX	COMPLETE PISTON 53.98 WITH PIN		82,00
15	W10081	PISTON PIN CIRCLIP		1,00
16	W10082	PISTON PIN D. 15		11,00
17	W10085	SMALL END NEEDLE CAGE D. 15 x 19 x 20		13,00
18	W10326	NYLON STUFFER		4,00
19	W522/12	FLEATHED SCREW M5 x 12	N.100 Pcs	3,00
20	W10310/KF	SILVER-PLATED SHIM D. 20,1		4,00
21	W10320/B6	SILVER-PLATED CAGE IKO D. 20 x 26 x 15 B6		29,50
22	W10315	CRANK PIN D. 20 x 50 DRILLED TYPE		13,50
23	W10308/RVZ	BARE CONROD L. 110		245,00
24	W450	IGNITION KEY 13 x 5 x 3	N.10 Pcs	2,00
25	W10353/RVXXC	COMPLETE HALF CRANKSHAFT SPROCKET SIDE		99,00
26	W10340/RVXXC	COMPLETE HALF CRANKSHAFT IGNITION SIDE		90,00
27	W10308/RVZC	COMPLETE CONROD L. 110		321,00
30C	W10355/RVZC	COMPLETE CRANKSHAFT RVZ		534,00
31	W10274	ELASTIC RING SW 15 CRANKSHAFT		1,00
32	W10271	WASHER 28 x 15 x 2,2 GEAR SHAFT		5,50
33	W10275/3	PRIMARY TRANSMISSION SPROCKET Z17		36,00
34	W10276	ELASTIC RING SW 19 CRANKSHAFT		1,00
35	W310	OIL SEAL FPJ 20 x 35 x 7 DOUBLE LIP		4,00
36	W10370	INSERT		54,00



## RVZ ENGINE SPARE PARTS PRICE LIST

N°	CODE	DESCRIPTION	MINIM. Q.TY	PRICE EURO tarifs HT
60	W10044	CYLINDER STUD BOLT M8 x 62		4,00
61	W2035/ROK	OIL PLUG TCE4M M18 x 1,5 W/WASHER		3,00
62	W800	DEPRESSION PIPE FITTING M8 HEXAGONAL		2,50
63	W530/10FL	NUT M8 x 10	N.100 Pcs	12,00
64	W560/17	WASHER M8,2 x 17 x 1,5	N.100 Pcs	3,00
66	W10267	COPPER GASKET D. 8 x 12 x 1	N.100 Pcs	10,00
67	W075/1	CRANKCASE DOWEL D. 10 x 10,5 x 6,5		3,50
68	W10261	CRANKCASE DOWEL D. 12 x 12 x 7		8,50
71	W10660	CLUTCH LEVER RETAIN SCREW		5,00
72	W10662	COPPER GASKET D. 6 x 10 x 1,5		1,50
73	W10560	SEEGER A - 20	N.100 Pcs	10,00
74	W10552	SPROCKET OIL SEAL D. 25 x 40 x 7		4,00
75	W10549	SPROCKET SPACER O - RING 2075	N.100 Pcs	4,00
76	W10550/1	SPROCKET SPACER O - RING 20 x 25 x 12,4		11,00
77	W10556	CHAIN SPROCKET Z16		24,00
..	W10554	CHAIN SPROCKET Z17		24,00
..	W10558	CHAIN SPROCKET Z18		24,00
78	W10235	CRANKCASE WATER PIPE FITTING		9,00
79	V.TCE6X55	SOCKET-HEAD SCREW M6 x 55	N.100 Pcs	18,00
80	V.TCE6X40	SOCKET-HEAD SCREW M6 x 40	N.100 Pcs	11,00
81	W530/06	HEXAGONAL NUT 8 MA	N.100 Pcs	3,00
82	W10650	CLUTCH CABLE REGISTER		5,00
83	W10252	COMPLETE OIL PLUG TCEM1 M12 x 1,5		7,00
84	W10240/RVZ	COMPLETE CRANKCASE RVZ		795,00
85	V.TCE6X65	SOCKET-HEAD SCREW M6 x 65	N.100 Pcs	26,00
86	V.TCE6X50	SOCKET-HEAD SCREW M6 x 50	N.100 Pcs	15,50
87	W10248/RVX	COMPLETE REED VALVE PYRAMID 125/RVX		108,00
88	W10253	125/RVS REED VALVE PYRAMID STOPPER		1,00
89	W10216	TOP REED STIFFENER		15,00
90	W10221	TOP REED PETAL PYRAMID		30,00
92	W10215	BOTTOM REED STIFFENER		15,00
94	W10247/RVX	REED VALVE PYRAMID INTERNAL CONVEYOR		40,00
95	W10268/RVXX	FLANGE FOR MANIFOLD RVXX		42,00
96	V.TCE6X16	SOCKET-HEAD SCREW M6 x 16	N.100 Pcs	7,00
97	W10277	CARBURETTOR CLAMP RVXX		2,50
98	W10654	ROLLER CASE HK 0608		2,00
99	W10656	ROLLER CASE HK 1015		2,00
100	W10658	CLUTCH LEVER OIL SEAL D. 10 x 18 x 4		1,50
101	W10652/RVX	CLUTCH LEVER RVX/KZ		23,50
102	W10351/1RVX	REED VALVE PYRAMID GASKET RVXX		2,00





### RVZ ENGINE SPARE PARTS PRICE LIST

N°	CODE	DESCRIPTION	MINIM. Q.TY	PRICE EURO
119	W10612/RVXX	CLUTCH DISKS COVER		17,00
120	W10644	CLUTCH LIFTER		12,00
121	W10620	CLUTCH DRUM NUT		3,50
122	W10611	DRUM NUT RETAINER		1,50
123	W10610/RVXXC	COMPLETE ERGAL CLUTCH DRUM		57,00
124	W10624	CLUTCH DRUM WASHER D. 20 x 40 x 2		1,50
125	W10673	CLUTCH DRUM SPACER FOR DAMPER		18,00
126	W522/10	FLATHEAD SCREW M5 x 10	N.100 Pcs	6,00
127	W10671	DAMPER COVER		12,00
128	W10672	DAMPER RUBBER		1,00
129	W10626	CLUTCH HOUSING OIL SEAL G25 x 32 x 4		5,00
130	W10670/1	DAMPER PLATE 125/RVS		108,50
131	W10636	CLUTCH HOUSING KEY 4 x 4 x 8		0,50
132	V.TCE6X30	SOCKET-HEAD SCREW M6 x 30	N.100 Pcs	9,50
133	W10211/RVXX	PRIMARY TRANSMISSION COVER RVXX		136,00
134	W10208/RVX	PRIMARY TRANSMISSION COVER GASKET		3,00
135	W075/1	CRANKCASE DOWEL D. 10 x 10,5 x 6,5		3,50
136	W10280/3	PRIMARY TRANSMISSION GEAR Z 67		201,00
137	V.TCE5X30	SOCKET-HEAD SCREW M5 x 30	N.100 Pcs	9,00
138	W10634	CLUTCH SPRING SPACER		1,50
139	W10618	CLUTCH SPRING		1,00
140	W10608/RVXX	CLUTCH HOUSING KZ		51,00
142	V.TCE6X20	SOCKET-HEAD SCREW M6 x 20	N.100 Pcs	7,50
143	W10642	PRIMARY TRANSMISSION COVER OIL SEAL D. 55 x 70 x 8		2,50
144	V.TCE6X25	SOCKET-HEAD SCREW M6 x 25	N.100 Pcs	9,50
145	W10640	PRIMARY CAGE K 25 x 29 x 13		6,50
146	W10606/1	INTERNAL RING LR		36,00
147	W10607	PRIMARY TRANSMISSION WASHER AS 2035		1,00
148	W10616	LINED DISK		11,00
149	W10616/1	LINED DISK		8,00
151	W10615	CLUTCH DISKS KIT 125/RVS		71,50
151B	W10614/1	IRON BARE DISK		3,50
153	W10625RVXX	CLUTCH GUARD RVXX/KZ		43,50
154	W420/1	SPARK CAP		3,50
155	W410/14	PVL COIL SINGLE CONNECTION		60,00
156	W430	GROUND CABLE		1,00
157	W440	COIL FIXING SILENT-BLOCK		4,00
158	W400/14	PVL COMPLETE IGNITION SINGLE CONNECTION		185,00
159	W405/4	PVL BARE IGNITION SINGLE CONNECTION		125,00
160	W570/12	FLAT WASHER D. 6 x 12 x 1,5	N.100 Pcs	3,00
161	W580/1	FLAT WASHER D. 5,2 x 13 x 3	N.100 Pcs	25,00
162	V.TCE5X30	SOCKET-HEAD SCREW M5 x 30	N.100 Pcs	9,00
163	W695	IGNITION ROTOR NUT		2,50
164	W571/12	ELASTIC WASHER D. 6 x 12	N.100 Pcs	3,00
165	V.TCE6X35	SOCKET-HEAD SCREW M6 x 35	N.100 Pcs	10,00
166	W445	COIL FIXING KIT COMPLETE		6,00
167	V.TCE5X40	SOCKET-HEAD SCREW M5 x 40	N.100 Pcs	12,00



### RVZ ENGINE SPARE PARTS PRICE LIST

N°	CODE	DESCRIPTION	MINIM. Q.TY	PRICE EURO
180	W10522	BEARING WASHER D. 17 x 29 x 2		1,50
181	W10524	1st GEAR ON II^ Z33		58,50
183	W10503	GEARBOX WASHER D. 21 x 29 x 1		1,00
184	W10530/3	6th GEAR ON II^ Z25		76,50
185	W10532/2	SEEGER D. 25 EXTERNAL		1,00
186	W10520/1	GEARBOX SECONDARY SHAFT		86,00
186C	W10520/3C	COMPLETE GEARBOX SECONDARY SHAFT		524,50
187	W10523	SECONDARY BROACHED WASHER D. 25		7,00
188	W10526	CAGE K 21 x 25 x 10		1,50
189	W10536/3	4th GEAR ON II^ Z22		68,00
190	W10538	SPLIT WASHER D. 29 x 21,2 x 1	N.100 Pcs	13,00
191	W10540	3rd GEAR ON II^ Z24		51,00
196	W10544/3	5th GEAR ON II^ Z23		77,00
199	W10546/3	2nd GEAR ON II^ Z29		68,00
200	W10533	GEARBOX WASHER D. 25 x 32 x 1,5		2,00
202	W10535	GEARBOX WASHER D. 25 x 35 x 0,5		0,50
203	W300/A4	CUSCINETTO 6205 C4		6,00
204	W10538	SPLIT WASHER D. 29 x 21,2 x 1	N.100 Pcs	13,00
205	W10370	INSERT		54,00
206	W10668/1	CLUTCH LIFTER ROD		2,50
208	W10646	CLUTCH LIFTER O-RING 2025	N.100 Pcs	3,00
209	W10502/1	GEARBOX PRIMARY SHAFT Z13		136,00
209C	W10502/3C	COMPLETE PRIMARY SHAFT Z13		456,00
210	W10504	SPLIT CAGE K 18 x 22 x 10		10,00
211	W10506/3	6th GEAR ON I^ Z27		74,00
212	W10508	BROACHED WASHER PRIMARY SHAFT D. 22		11,00
213	W10510/2	SEEGER D. 22 EXTERNAL	N.100 Pcs	8,00
214	W10512/3	3rd-4th GEAR ON I^ Z16-Z18		85,50
218	W10514/3	5 th GEAR ON I^ Z 22		71,00
219	W10516/3	2nd GEAR ON I^ Z16		34,00
220	W10518	INSERT 17x40x12 6203 C4		3,50
222	W10500/3C	COMPLETE PRIMARY SHAFT Z13		999,50



### RVZ ENGINE SPARE PARTS PRICE LIST

N°	CODE	DESCRIPTION	MINIM. Q.TY	PRICE EURO
240	W10417	PRESELECTOR PAWL SPRING WASHER D. 15 x 24 x 1		3,00
241	W10419	PRESELECTOR PAWL SPRING		4,00
242	W10415	SEEGER A - 17	N.100 Pcs	6,00
243	W10416	PAWL BUSH WASHER D. 17 x 25 x 1		1,00
244	W10431/C	COMPLETE PRESELECTOR PAWL		7,50
245	W10414	PRESELECTOR PAWL BUSH		9,00
246	W10403	PRESELECTOR SPRING		3,00
247	W10402/1	PRESELECTOR SPRING SPACER		3,50
248	W10400/1	COMPLETE GEARBOX PRESELECTOR PIN		22,00
249	W10421	SEEGER A - 12	N.100 Pcs	3,00
250	W10420	PRESELECTOR PIN WASHER D. 12 x 22 x 1		0,50
252	W10440	ROLLER CASE HK 1212		2,00
253	W10448	PRESELECTOR OIL SEAL D. 12 x 22 x 7		1,50
254	W510/14	SOCKET-HEAD SCREW M6 x 14	N.100 Pcs	6,00
255	W10404/1	PRESELECTOR SPRING STOP REINFORCED		9,50
256	W10453/RVXXC	COMPLETE GEARBOX PRESELECTOR COVER RVXX	N.100 Pcs	91,00
257	W512/14	FLATHED SCREW M6 x 14		6,00
258	W10539	SHIFTER FORKS PIN D. 10 x 85		4,00
259	W10426	1st AND 4th SPEED SHIFTER FORK		87,50
260	W10425	2nd AND 3rd SPEED SHIFTER FORK		87,50
261	W10570	SHIFT CAM		88,00
262	W10571	ROLLER CAM D. 3 x 7,8		1,50
263	W10575	INSERT CAM LEFT 6803		11,00
264	W10405	PRESELECTOR CAM		69,50
265	W10407	PRESELECTOR CAM PIN		12,00
266	W10406/C	COMPLETE PRESELECTOR RATCHET WHEEL		130,00
267	W10408	PRESELECTOR RATCHET DRIVING DOG		14,50
268	W10409	DRIVING DOGS SPRING CAP		3,50
269	W10410	DRIVING DOGS SPRING		1,00
270	W10406	PRESELECTOR RATCHET WHEEL		84,00
271	W10401	PRESELECTOR CRANK WHEEL		7,00
272	W10411	DRIVING DOGS RETAIN PLATE		4,00
273	W510/14	SOCKET-HEAD SCREW M6 x 14	N.100 Pcs	6,00
274	W570/12	FLAT WASHER D. 6 x 12 x 1,5	N.100 Pcs	3,00
275	V.TCE4X8	SOCKET-HEAD SCREW M4 x 8	N.100 Pcs	8,00
276	W585/09	FLAT WASHER M4 x 9	N.100 Pcs	3,00
277	W10423	5th AND 6th SPEED SHIFTER FORK		87,50
278	W10539	SHIFTER FORKS PIN D. 10 x 85		4,00
279	V.TCE6X16	SOCKET-HEAD SCREW M6 x 16	N.100 Pcs	7,00
280	W10576	SHIFT CAM BEARING SUPPORT		6,50
281	W10574	INSERT CAM RIGHT 6802/A		10,50



RVZ ENGINE SPARE PARTS PRICE LIST

N°	CODE	DESCRIPTION	MINIM. Q.TY	PRICE EURO
300	W10812/RVX	DELLORTO CARBURETTOR VHSH 30		230,00
302	W10930	EXHAUST MANIFOLD		42,00
303	W510/14	SOCKET-HEAD SCREW M6 x 14	N.100 Pcs	6,00
304	W10935	EXHAUST GASKET		1,50
308	W10925	MUFFLER SPRINGS		8,00
310	W10914/RVZ	MUFFLER BENT PIPE 2 HALF RVZ		25,50
311	W10921/RVZ	EXAUST MUFFLER WITH BENT PIPE 125/RVZ		240,00
312	V.TCE10X40	SOCKET-HEAD SCREW M10 x 40	N.100 Pcs	30,00
313	0039.V30	BRACKET 92X30 MM		13,00
313A	0039.V30A	BRACKET 92X30 MM FR		13,00
314	V.TCE8X30	SOCKET-HEAD SCREW M8 x 30	N.100 Pcs	17,00
315	W10964/RVXX	BARE ENGINE CLAMP RVXX		98,00
316	V.TCE6X25	SOCKET-HEAD SCREW M6 x 25	N.100 Pcs	9,50
317	W10444	GEARBOX LEVER		20,00